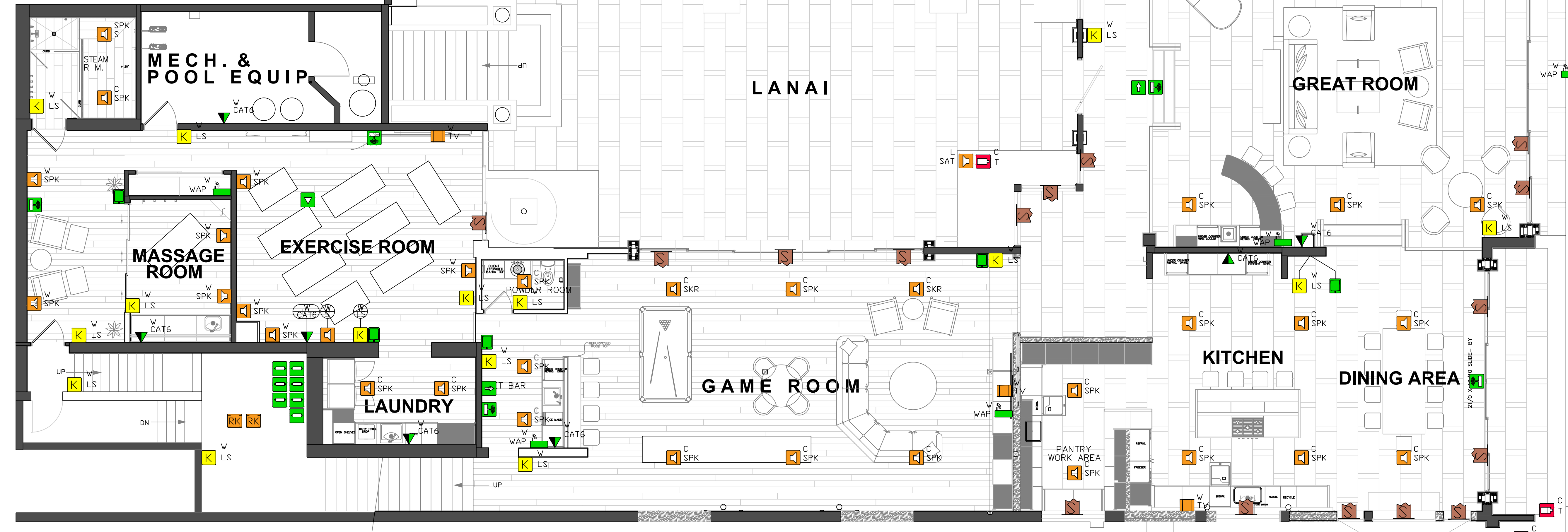


MOUNTING TYPE	
C	CEILING
CH	CEILING HIDDEN
D	DESK TABLE
F	FLUSH
FL	FLOOR
G	GROUND
H	HIDDEN
M	MULLION
O	OUTDOOR
P	PEDESTAL
RK	RACK
R	ROOF
REC	RECESSED
S	SURFACE
W	WALL
WS	WALL SST
S_SUB	SUBWOOFER CABINET
I_SUB	SUBWOOFER IN-CABINET
FS	FLOOR STANDING W/SUB
DN	DN WALL
LS	LANDSCAPE SUB

COLOR CODE	
Green	COMMUNICATION
Red	ELEC. SAFETY SECURITY
Blue	ENVIRONMENTAL
Yellow	FURNISHING
Orange	ELECTRICAL
Purple	AUDIO-VISID
Grey	CONTROL

LEGEND	
[S]	SUBWOOFER
[SPK]	SPEAKER
[SAT]	LANDSCAPE SATELLITE SPEAKER
[RK]	RACK OR HEAD END
[TV]	TELEVISION
[S]	SINGLE SHADE
[D]	DOUBLE SHADE
[K LS]	LS - LIGHT/SHADE KEYPAD
[S]	S - SECURITY KEYPAD
[Turret]	TURRET CAMERA
[DS]	DOOR SWITCH WITH CAMERA
[AP]	ACCESS POINT
[PD]	PHONE/DATE
[TP]	TOUCH PAD
[SIP]	SURECALL INDOOR PANEL
[S2W]	SURECALL 2 WAY SPLITTER
[S3W]	SURECALL 3 WAY SPLITTER
[S4W]	SURECALL 4 WAY SPLITTER
[S2C]	SURECALL COUPLER
[S2B]	SURECALL BOOSTER
[DND]	DMNI DNDNR
[YDND]	YAGI DNDNR



1 LOWER LEVEL  
 DEVICE LOCATION EXHIBIT  
 SCALE : 1/4" = 1'-0"

NOTE :  
 ALL DIMENSIONS FROM  
 FINISHED SURFACE

**SAMPLE PROJECT**

REVISED 2-25-20

DRAWN BY	A.J.A
DATE	4-25-19
SHEET	A1

**MOUNTING TYPE**

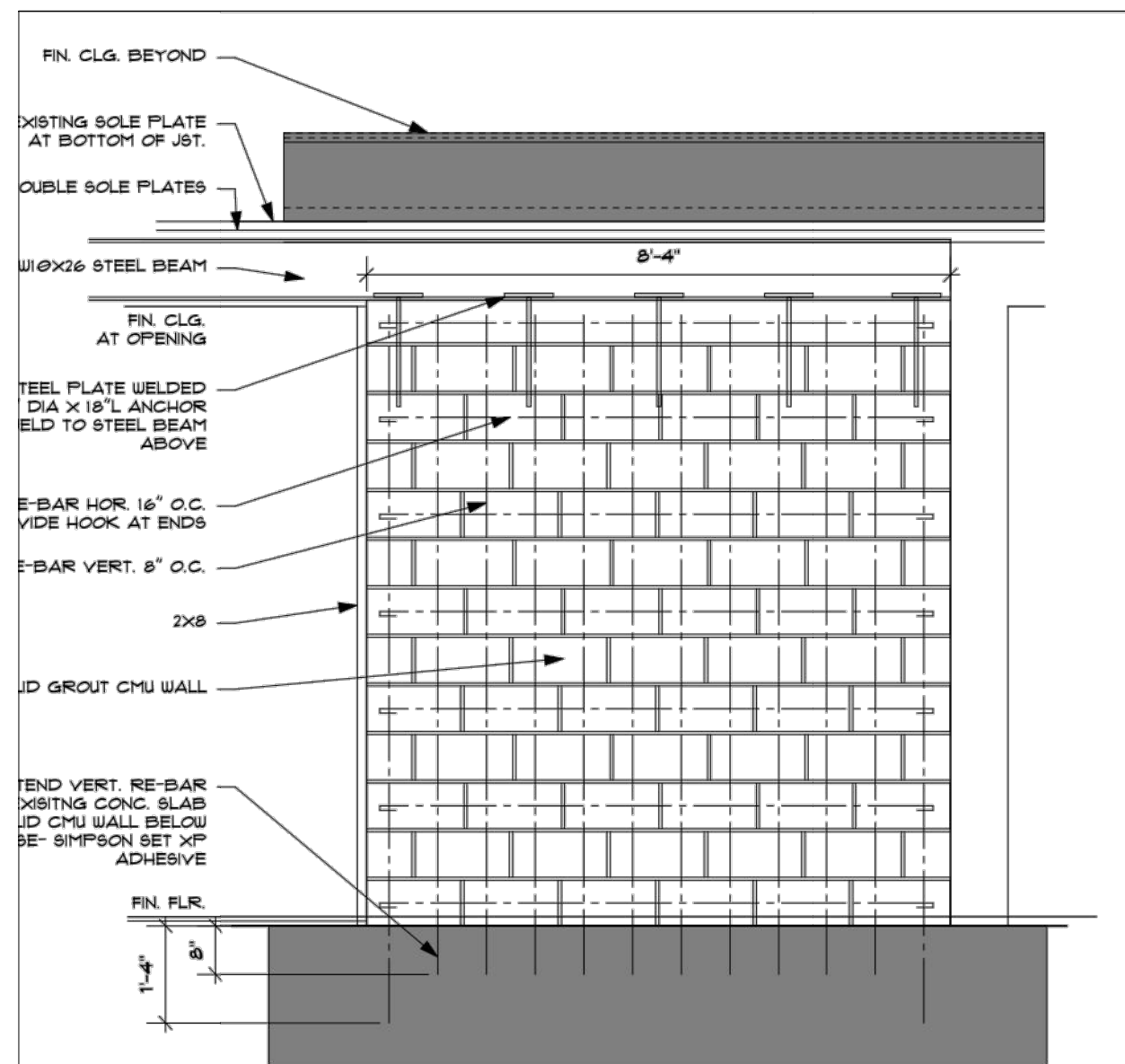
C	CEILING
CH	CEILING HIDDEN
D	DESK TABLE
F	FLUSH
FL	FLOOR
G	GROUND
H	HIDDEN
M	MULLION
O	OUTDOOR
P	PEDESTAL
RK	RACK
R	ROOF
REC	RECESSED
S	SURFACE
W	WALL
WS	WALL SST
S_SUB	SUBWOOFER CABINET
I_SUB	SUBWOOFER IN-CABINET
FS	FLOOR STANDING W/SUB
DW	DN WALL
LS	LANDSCAPE SUB

**COLOR CODE**

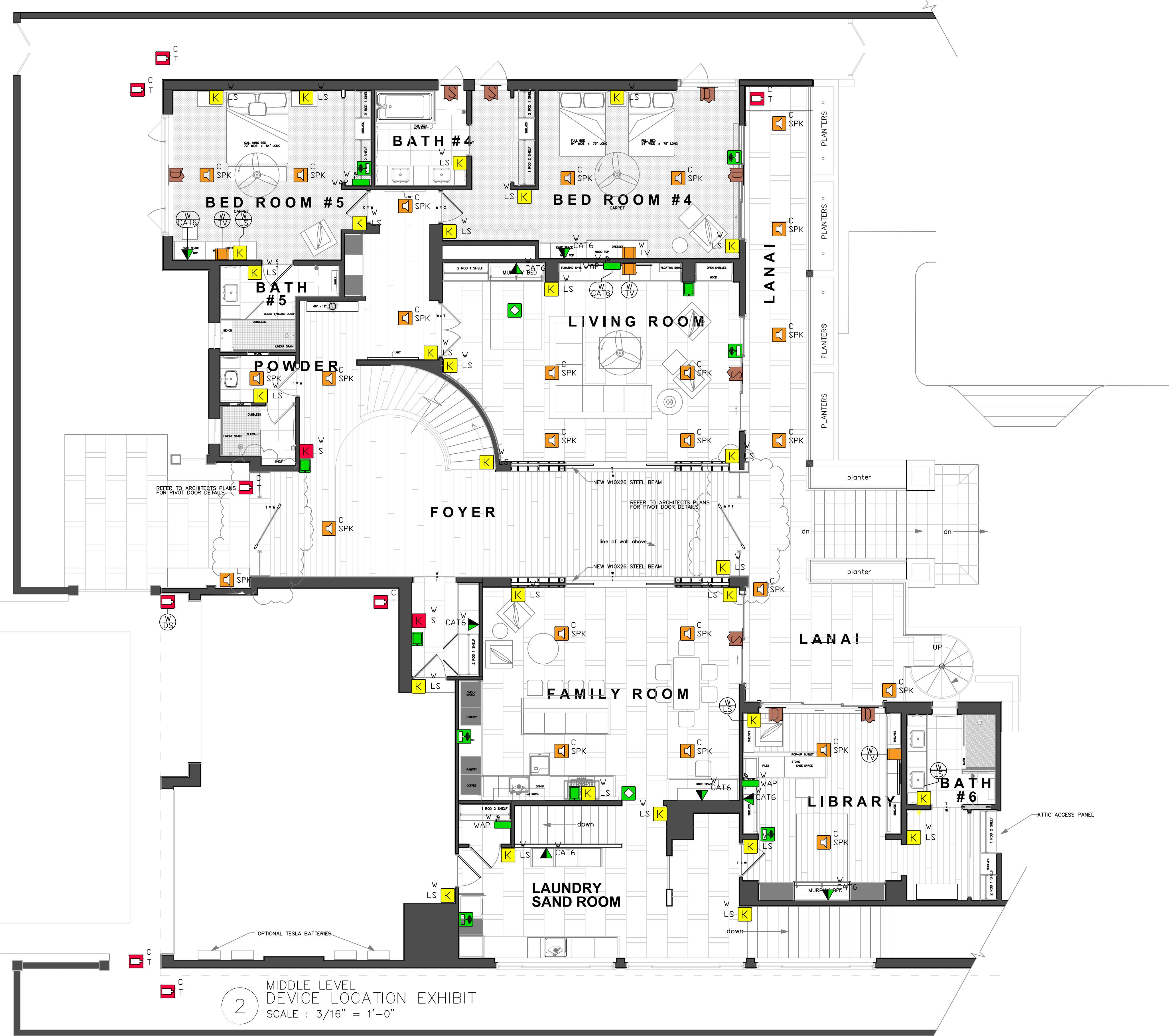
[Green]	COMMUNICATION
[Red]	ELEC. SAFETY SECURITY
[Grey]	ENVIRONMENTAL
[Brown]	FURNISHING
[Yellow]	ELECTRICAL
[Orange]	AUDIO-VISIO
[Black]	CONTROL

**LEGEND**

[S]	SUBWOOFER
[SPK]	SPEAKER
[SAT]	LANDSCAPE SATELLITE SPEAKER
[RK]	RACK OR HEAD END
[TV]	TELEVISION
[SS]	SINGLE SHADE
[DS]	DOUBLE SHADE
[K]	LS - LIGHT/SHADE KEYPAD
[S]	S - SECURITY KEYPAD
[TC]	TURRET CAMERA
[DS]	DOOR SWITCH WITH CAMERA
[AP]	ACCESS POINT
[PD]	PHONE/DATE
[TP]	TOUCH PAD
[SIP]	SURECALL INDOOR PANEL
[S2W]	SURECALL 2 WAY SPLITTER
[S3W]	SURECALL 3 WAY SPLITTER
[S4W]	SURECALL 4 WAY SPLITTER
[SC]	SURECALL COUPLER
[SB]	SURECALL BOOSTER
[DD]	DMNI DDNR
[YD]	YAGI DDNR



2 CMU WALL DETAIL  
SCALE: 1/2" = 1'-0"



2 MIDDLE LEVEL DEVICE LOCATION EXHIBIT  
SCALE: 3/16" = 1'-0"

NOTE :  
ALL DIMENSIONS FROM  
FINISHED SURFACE

**MOUNTING TYPE**

C	CEILING
CH	CEILING HIDDEN
D	DESK TABLE
F	FLUSH
FL	FLOOR
G	GROUND
H	HIDDEN
M	MULLION
O	OUTDOOR
P	PEDESTAL
RK	RACK
R	ROOF
REC	RECESSED
S	SURFACE
W	WALL
WS	WALL SST
S_SUB	SUBWOOFER CABINET
I_SUB	SUBWOOFER IN-CABINET
FS	FLOOR STANDING W/SUB
DW	DN WALL
LS	LANDSCAPE SUB

**COLOR CODE**

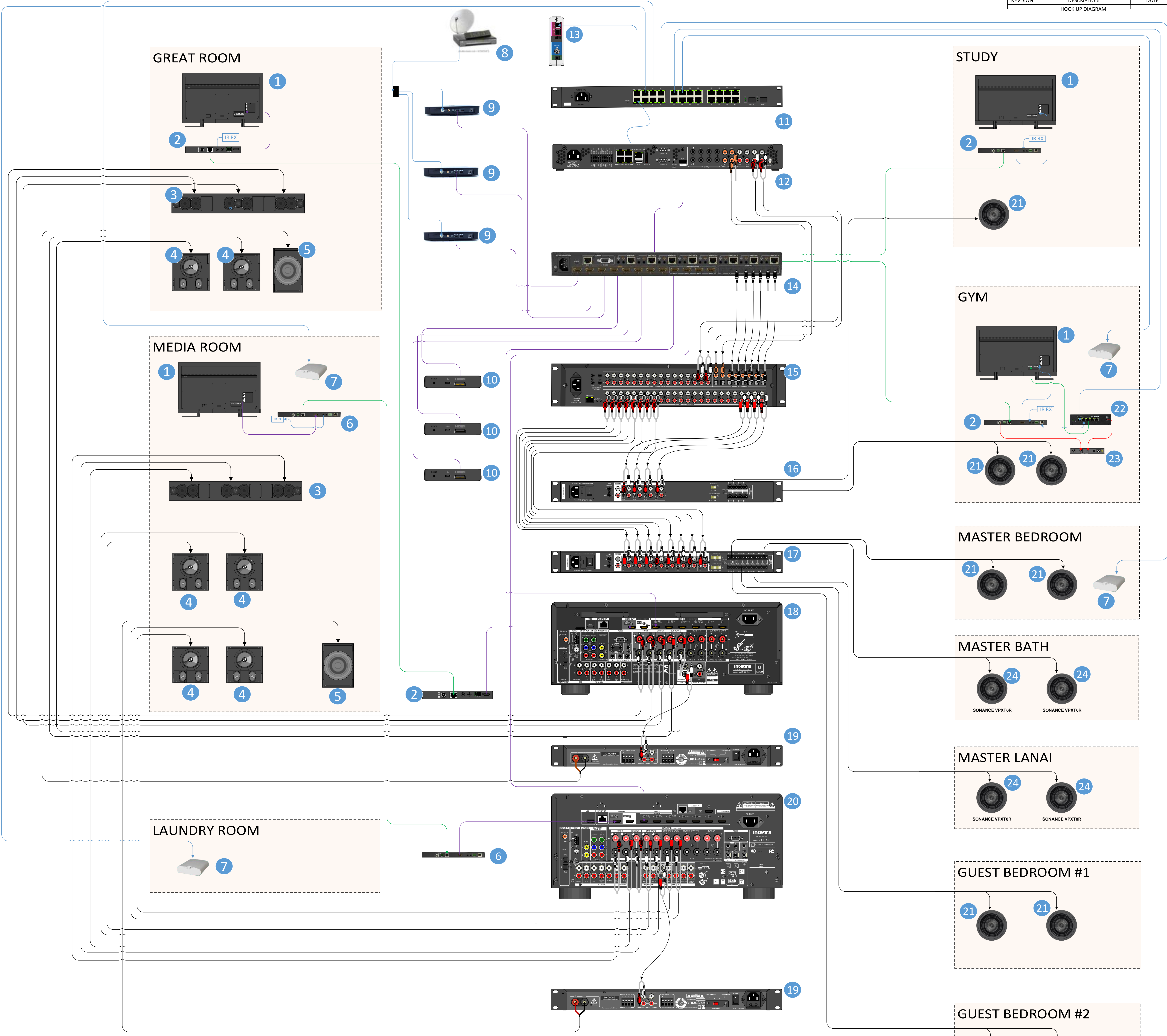
[Green]	COMMUNICATION
[Red]	ELEC. SAFETY SECURITY
[Grey]	ENVIRONMENTAL
[Brown]	FURNISHING
[Yellow]	ELECTRICAL
[Blue]	AUDIO-VIDEO
[Black]	CONTROL

**LEGEND**

[S]	SUBWOOFER
[SPK]	SPEAKER
[SAT]	LANDSCAPE SATELLITE SPEAKER
[RK]	RACK OR HEAD END
[TV]	TELEVISION
[S]	SINGLE SHADE
[D]	DOUBLE SHADE
[K LS]	LS - LIGHT/SHADE KEYPAD
[S]	S - SECURITY KEYPAD
[T.C.]	TURRET CAMERA
[DS]	DOOR SWITCH WITH CAMERA
[AP]	ACCESS POINT
[PD]	PHONE/DATE
[TP]	TOUCH PAD
[SIP]	SURECALL INDOOR PANEL
[S2W]	SURECALL 2 WAY SPLITTER
[S3W]	SURECALL 3 WAY SPLITTER
[S4W]	SURECALL 4 WAY SPLITTER
[S2C]	SURECALL COUPLER
[S2B]	SURECALL BOOSTER
[DND]	DNND DNDNR
[YDND]	YAGI DNDNR

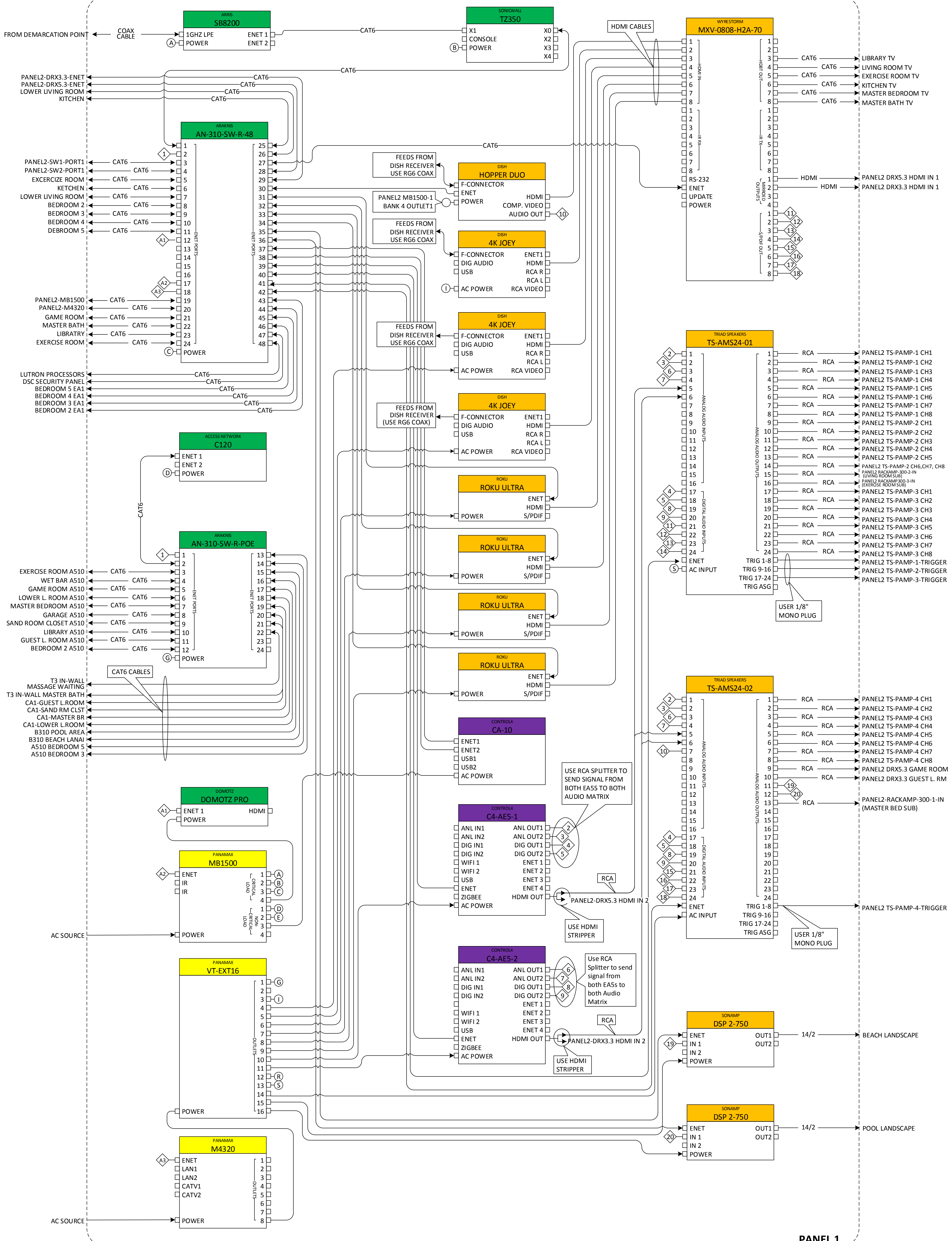


3 UPPER LEVEL  
DEVICE LOCATION EXHIBIT  
SCALE : 1/4" = 1'-0"



- |   |   |                                    |
|---|---|------------------------------------|
| 1 85 inch Smart LED 4K Ultra HD TV with HDR | 9 DirecTV receivers                       | 17 8-Zone Power Amplifier          |
| 2 4K UHD HDBaseT Extender Receiver          | 10 Roku Ultra streaming players           | 18 9.2 Channel Network AV Receiver |
| 3 3-in-1 OnWall Speaker                     | 11 L2 Managed Gigabit Switch              | 19 Triad RackAmp 300               |
| 4 Triad InWall Bronze/4 Surround            | 12 Control4 EA-5 Entertainment            | 20 7.2 Channel A/V Receiver        |
| 5 4 Inch In Wall Subwoofer                  | 13 Arris Surfboard Cable Modem            | 21 Sonance VP82R                   |
| 6 HDBaseT 5Play 4K TX/RX Kit                | 14 8x8 4K HDR Matrix Switcher             | 22 Araknis Networks® Switch        |
| 7 Access Networks A510                      | 15 Audio Matrix Switch 24 Source, 24 Zone | 23 SM3-PRO System Manager          |
| 8 Satellite Receiver                        | 16 Triad 4-Zone Power Amplifier           | 24 Sonance VPXT6R                  |

		DESIGNED/CHECKED	DATE
		DRAWN A. ABUEME	DATE
O WHEE VALLEY ROAD WAILUKU, HI 96793 (808-495-4344) PROJECT <b>SAMPLE PROJECT</b>		APPROVED ERIC KNEZ	DATE
		DRAWING NO: 0003-001-HD	SHEET 1 OF 1

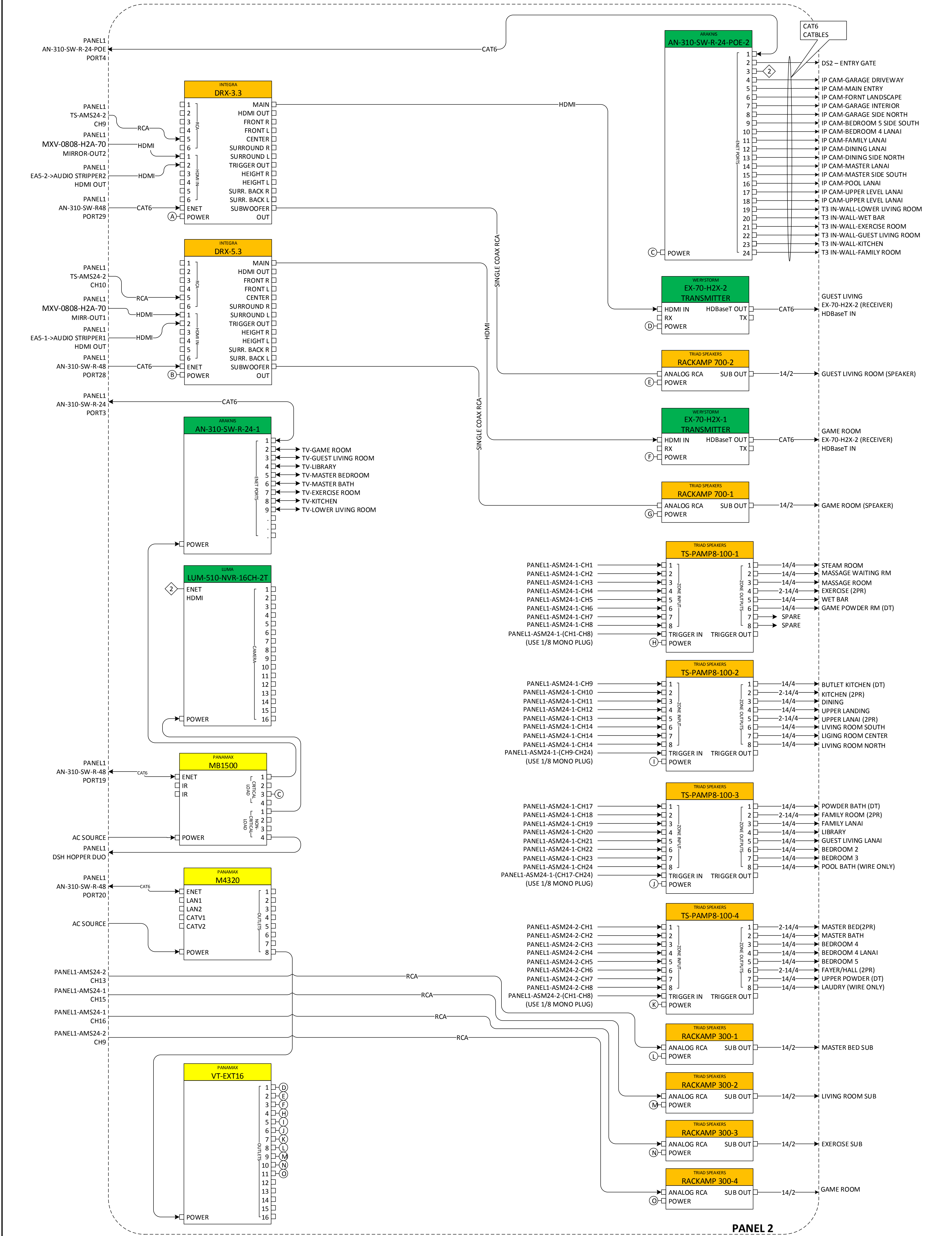


**PANEL 1**

AV DEVICES		CONTROL DEVICES	
ELECTRICAL/POWER DEVICES		POWER WIRE REFERENCE	
NETWORK DEVICE		NETWORK WIRE REFERENCE	

		DESIGNED/CHECKED	DATE
		MALESKI, LIGHT	
O WIHEE VALLEY ROAD WAILUKU, HI 96793 (808-495-4344)		DRAWN	DATE
		ABUEME, AGAFE	
<b>SAMPLE PROJECT</b>		APPROVED	DATE
		KNEZ, ERIC	
SCALE: NOT TO SCALE		DRAWING NO.	
		0001-SCH-01	SHEET 1 OF 3

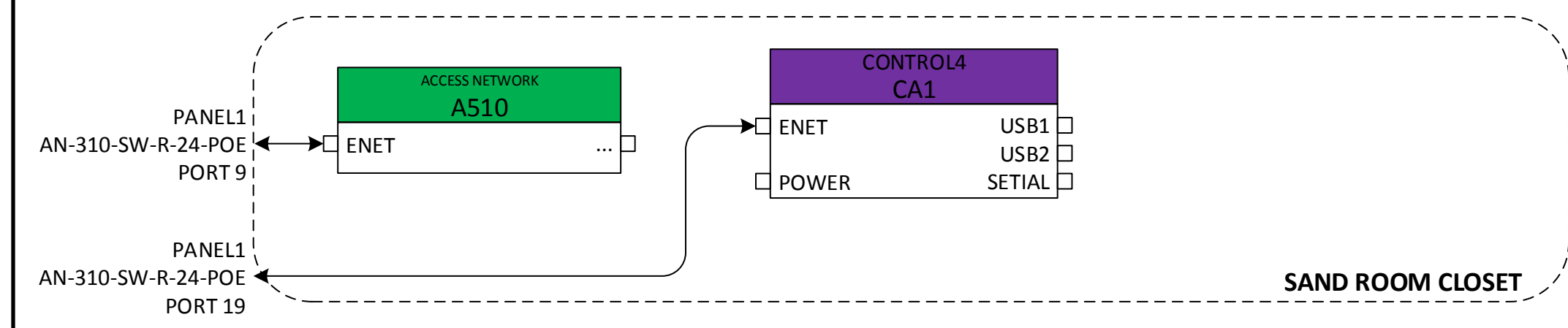
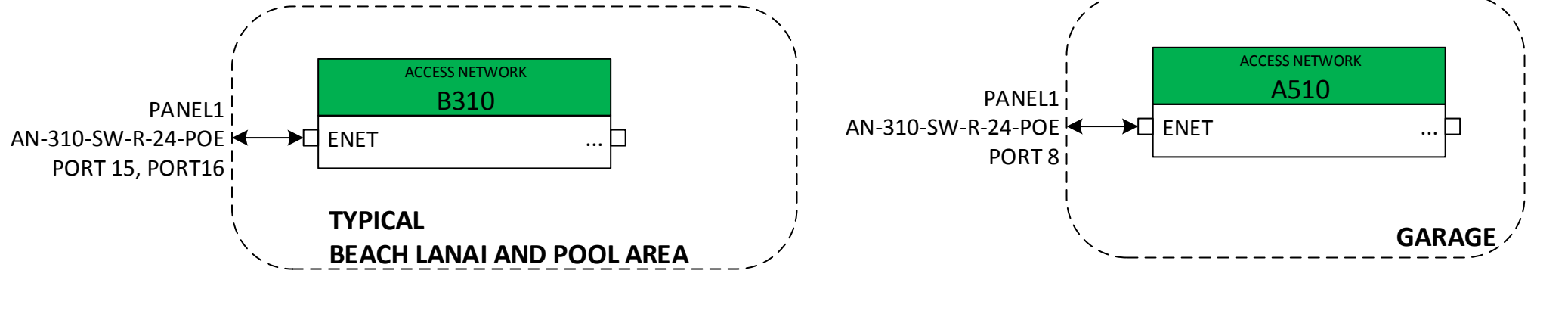
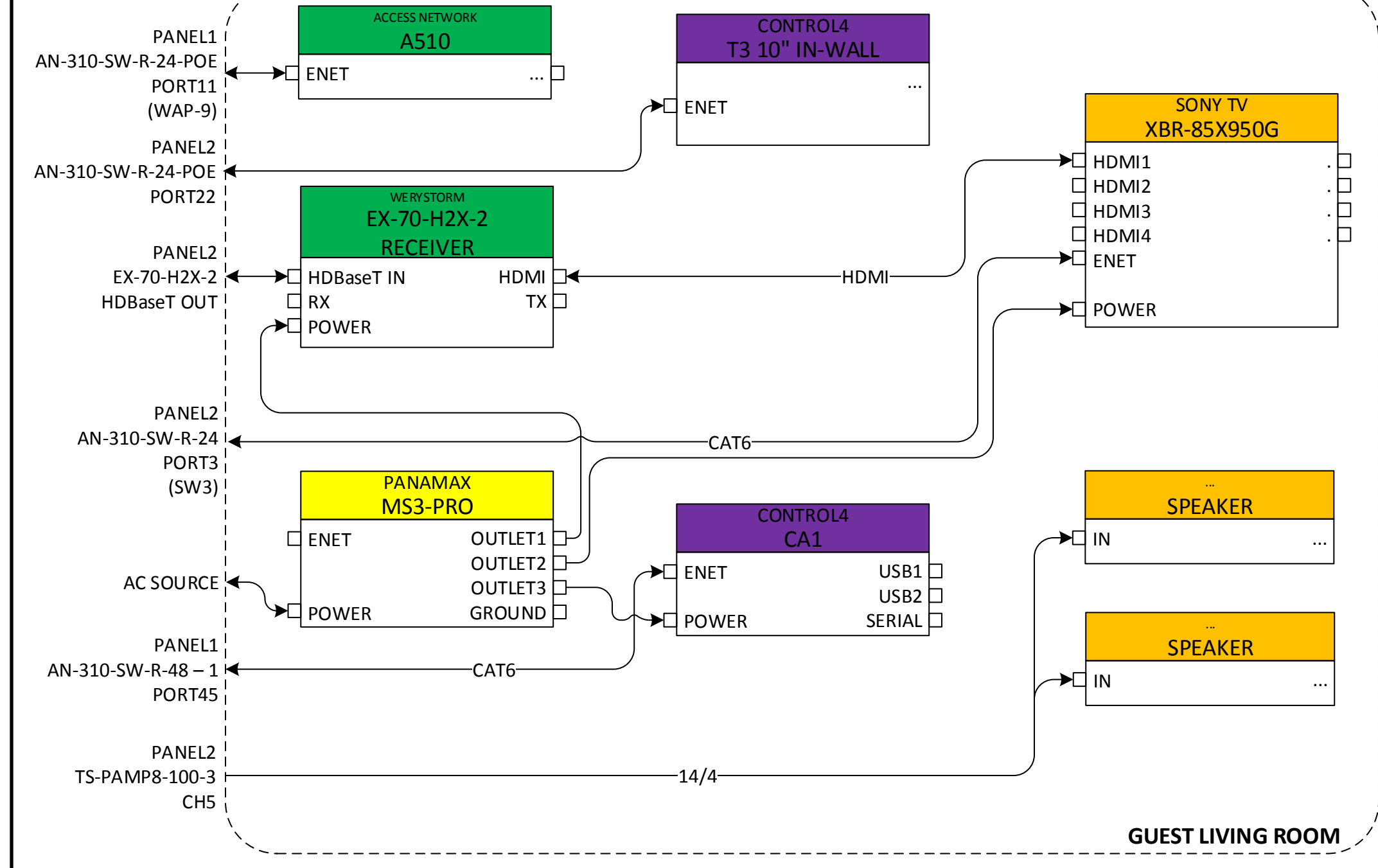
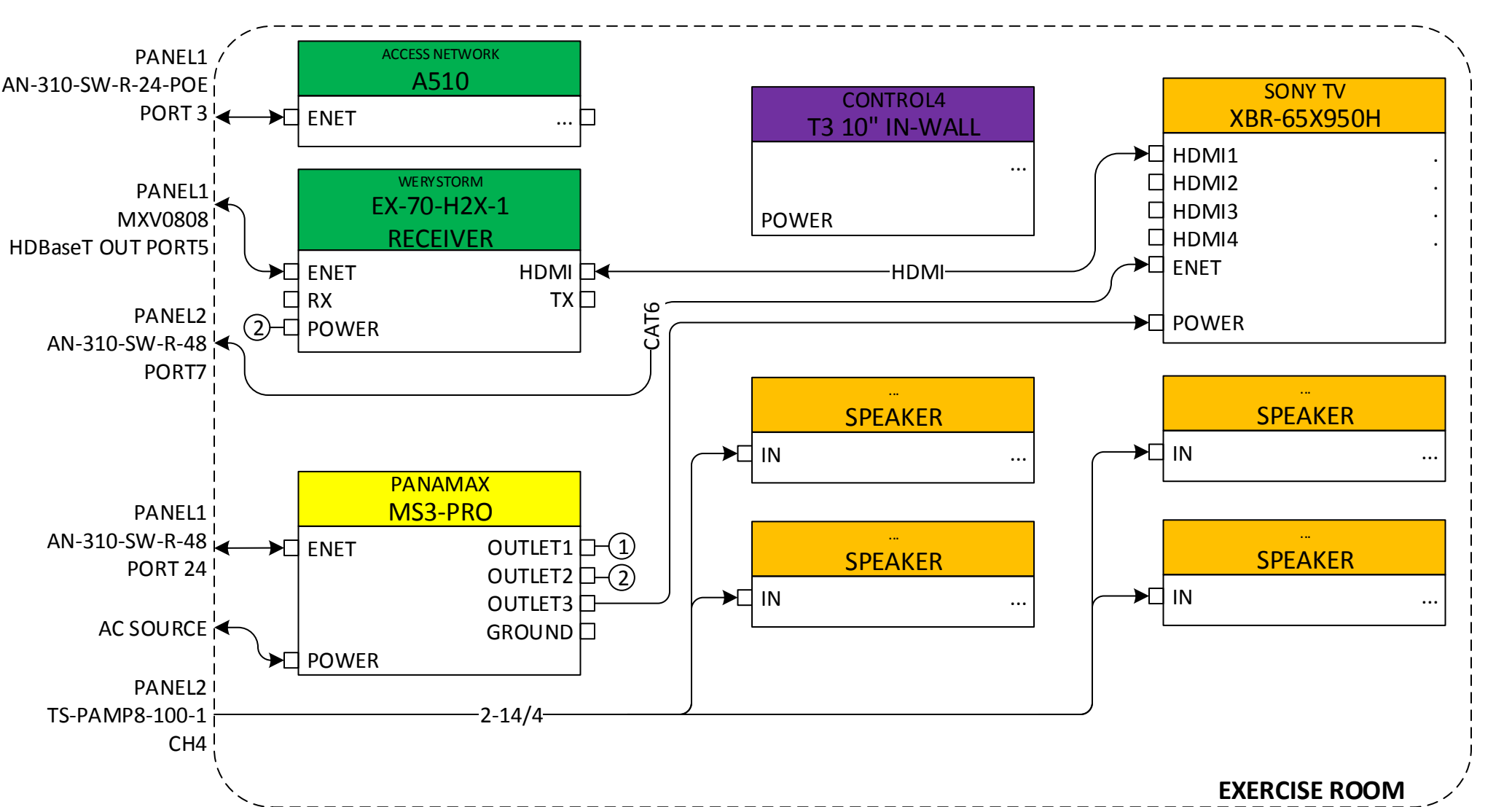
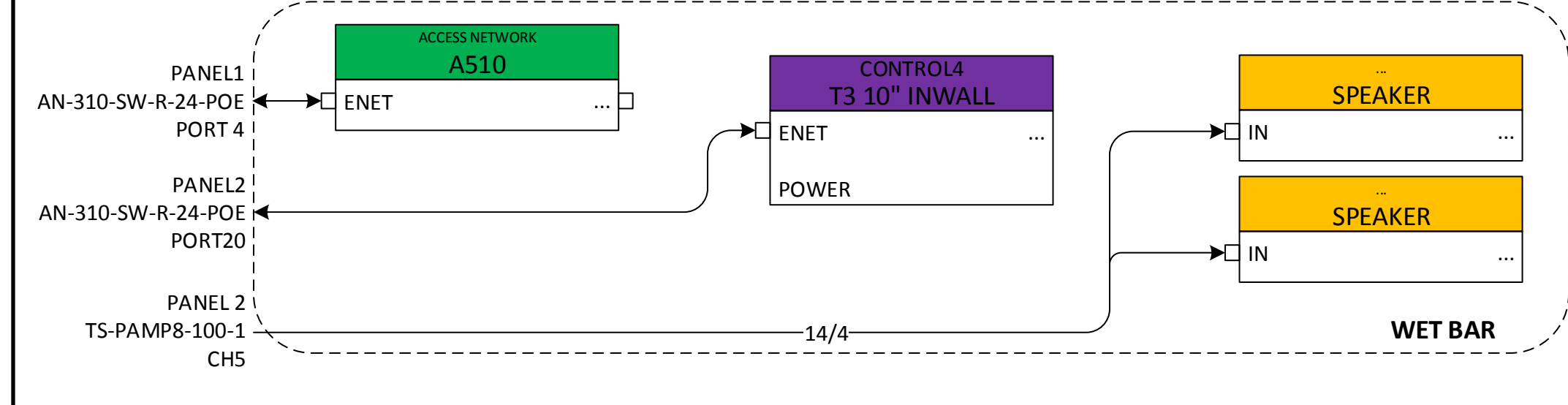
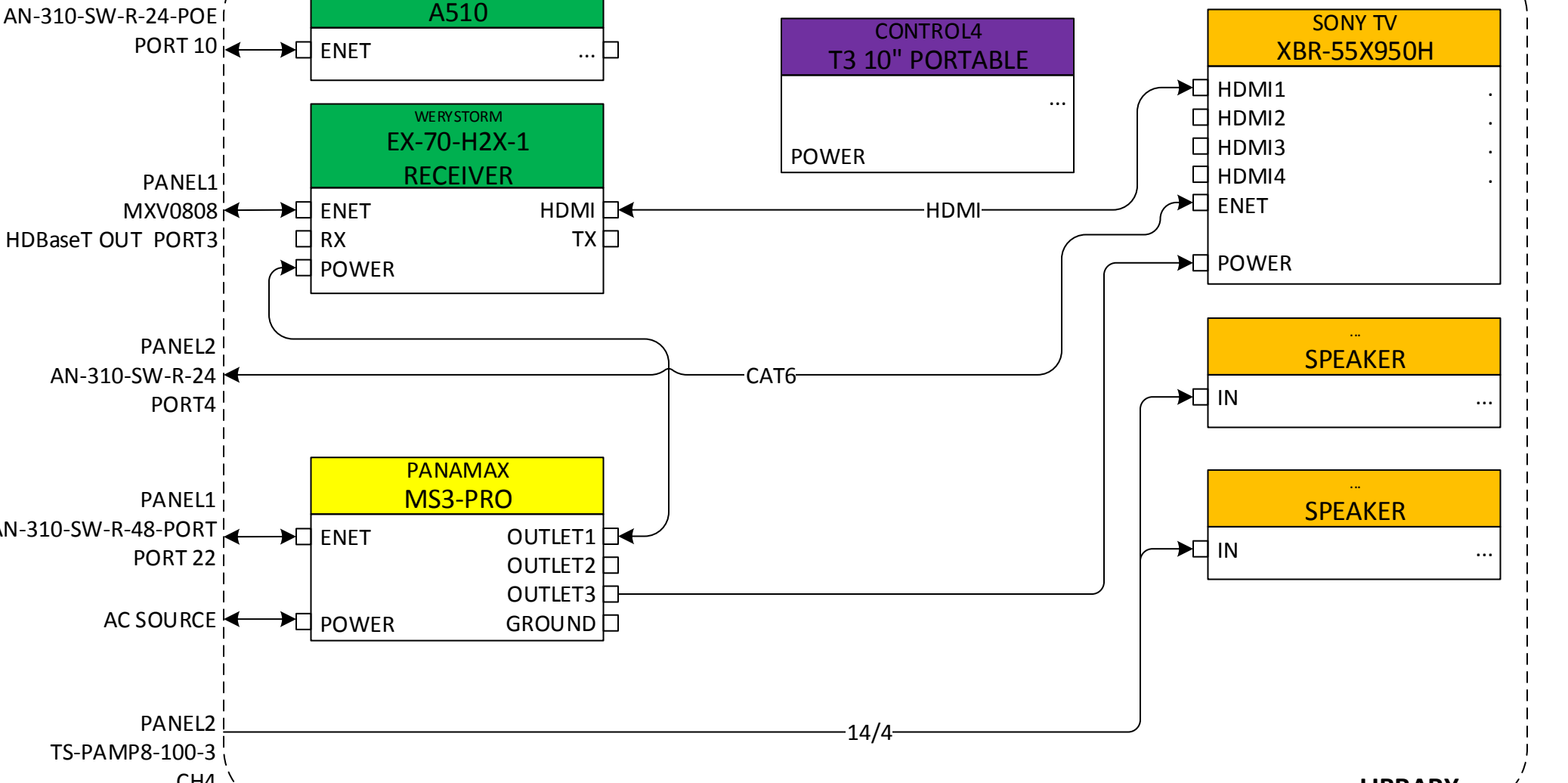
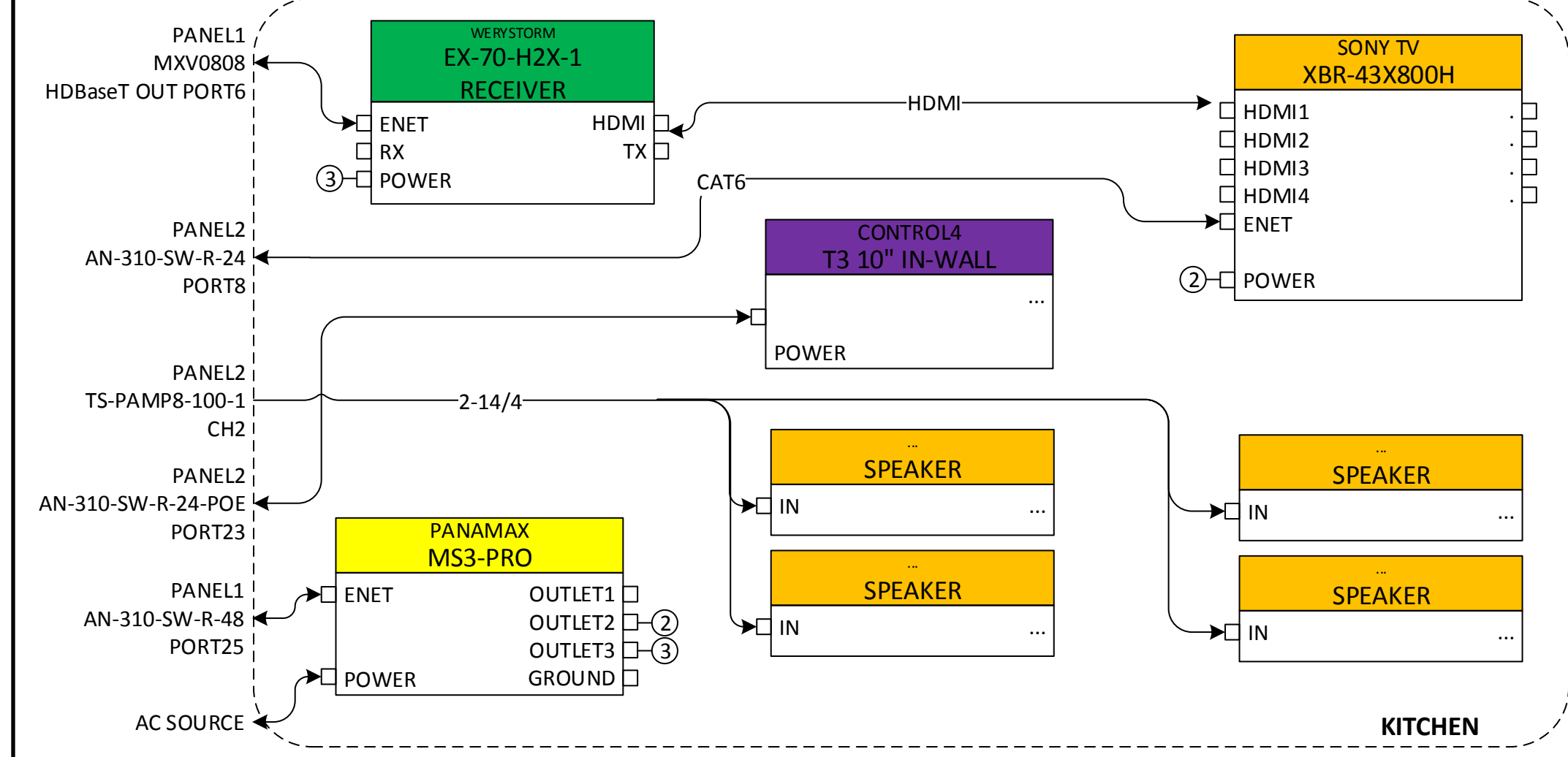
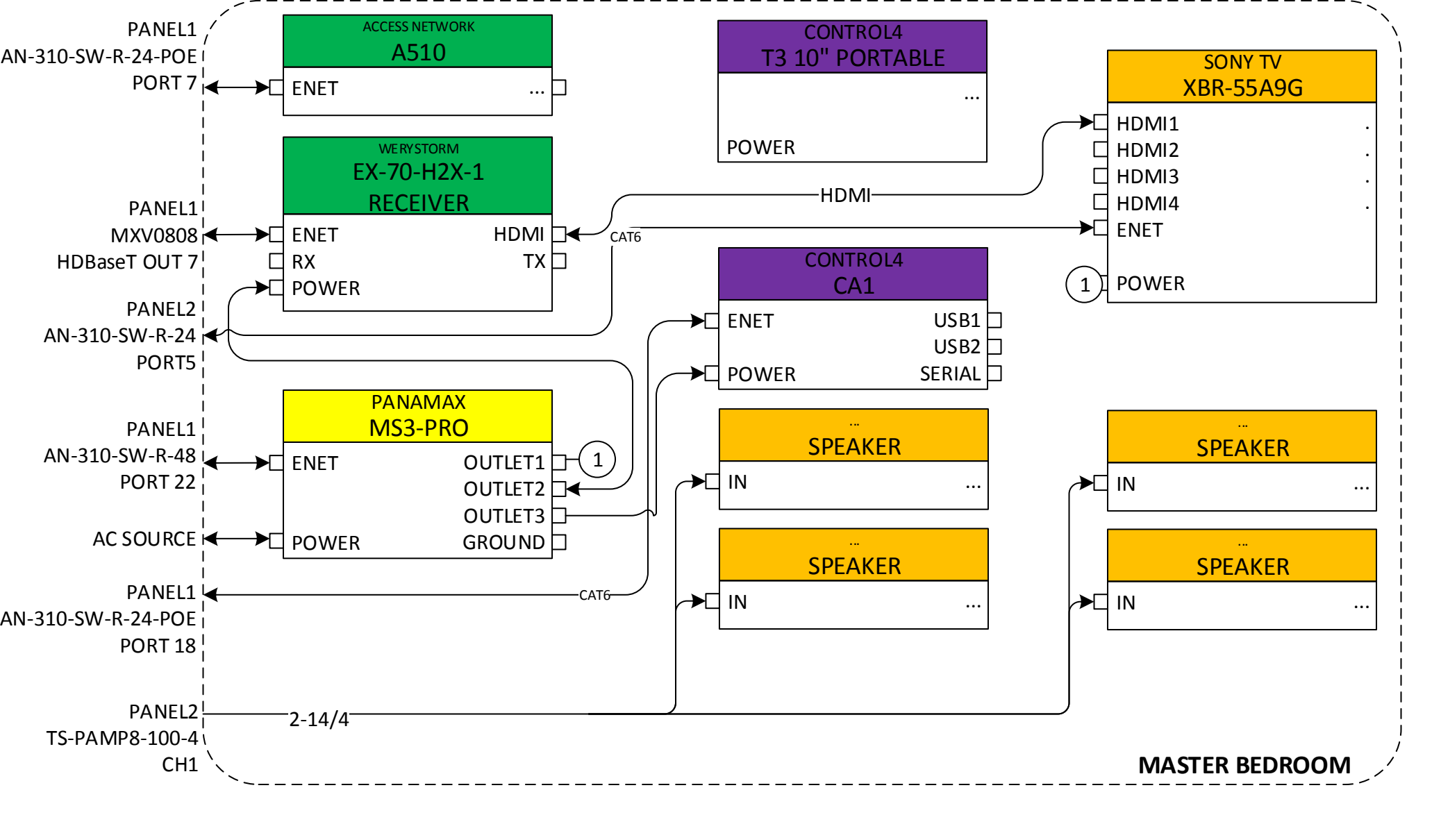
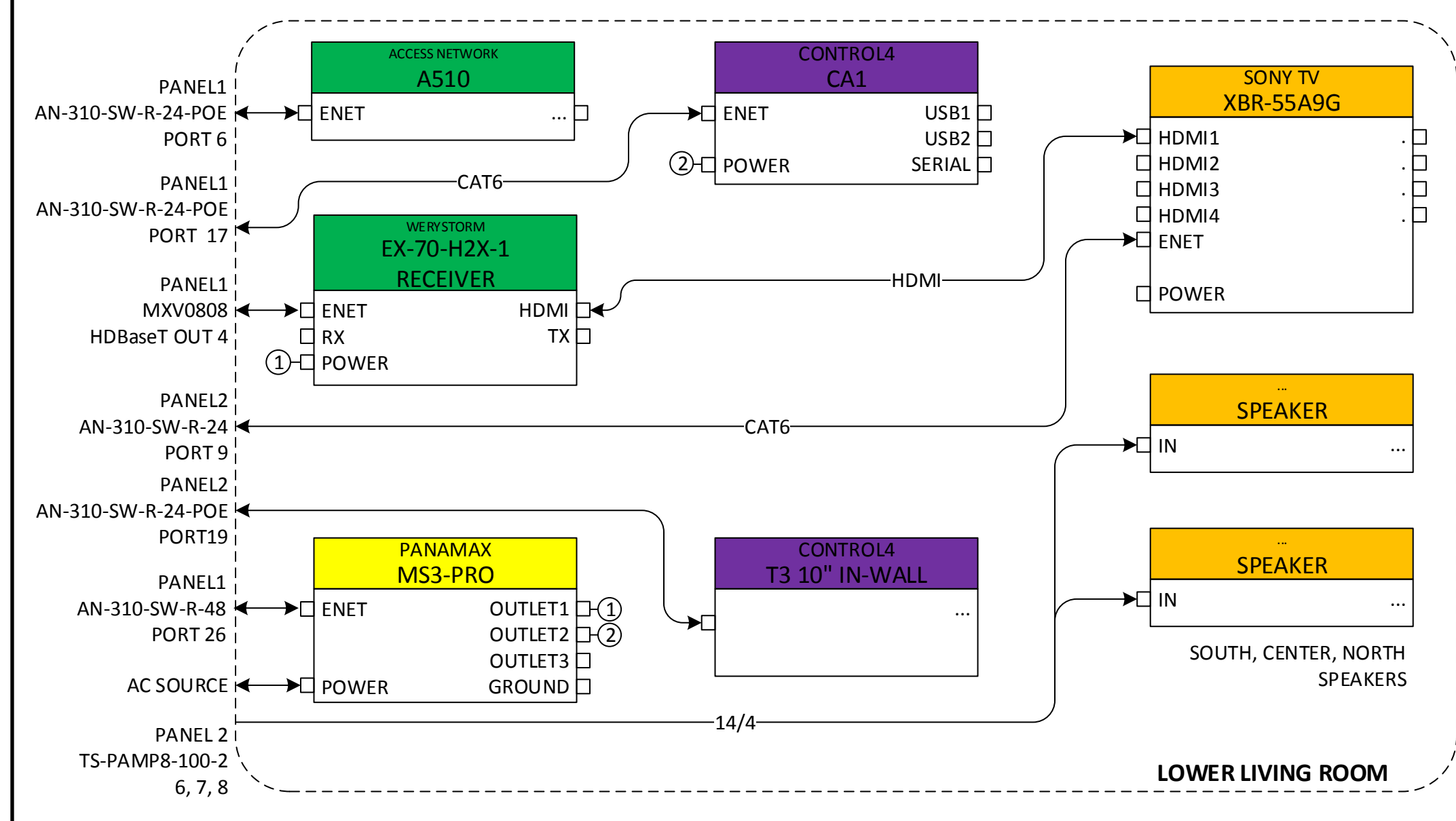
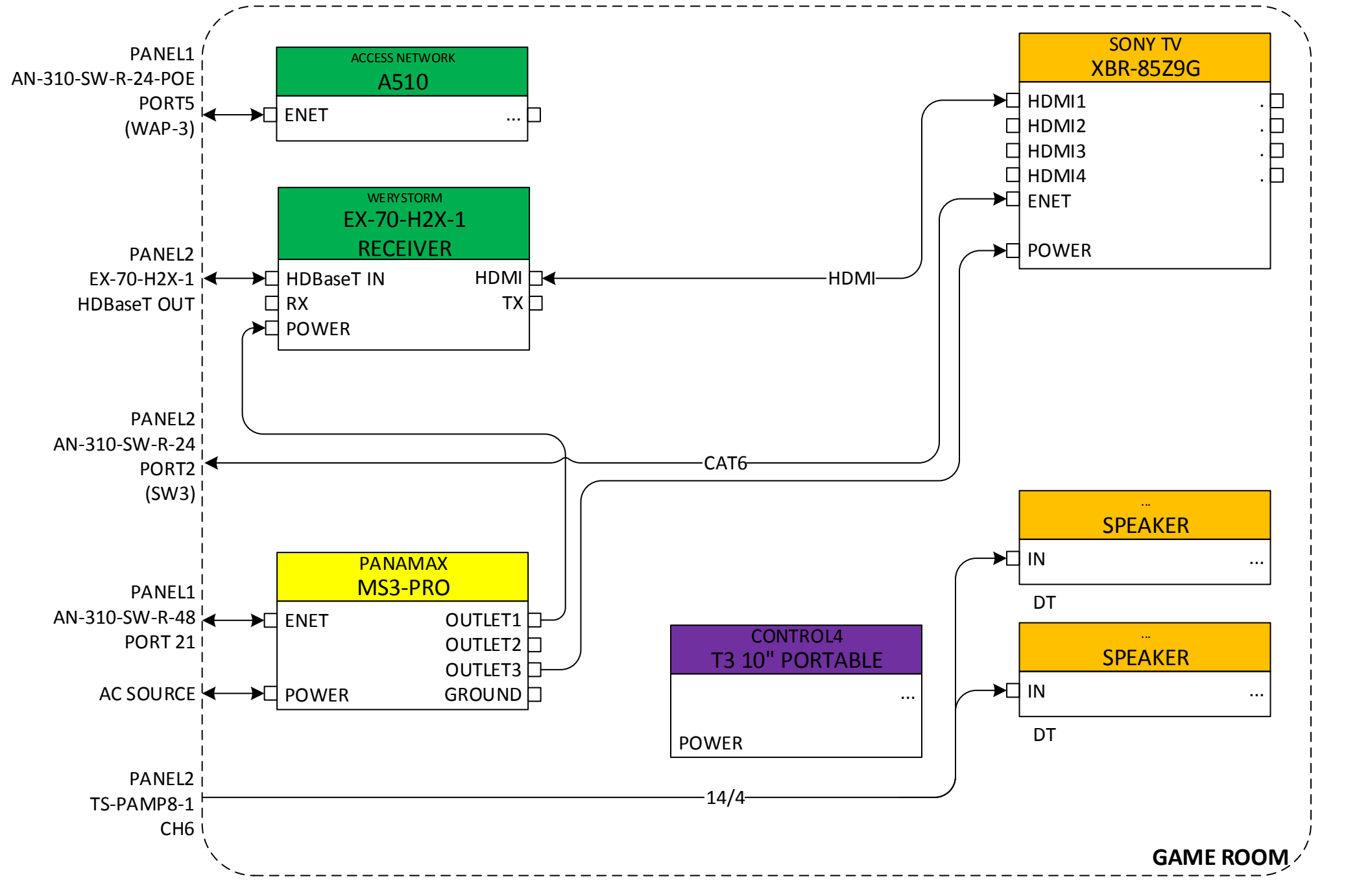
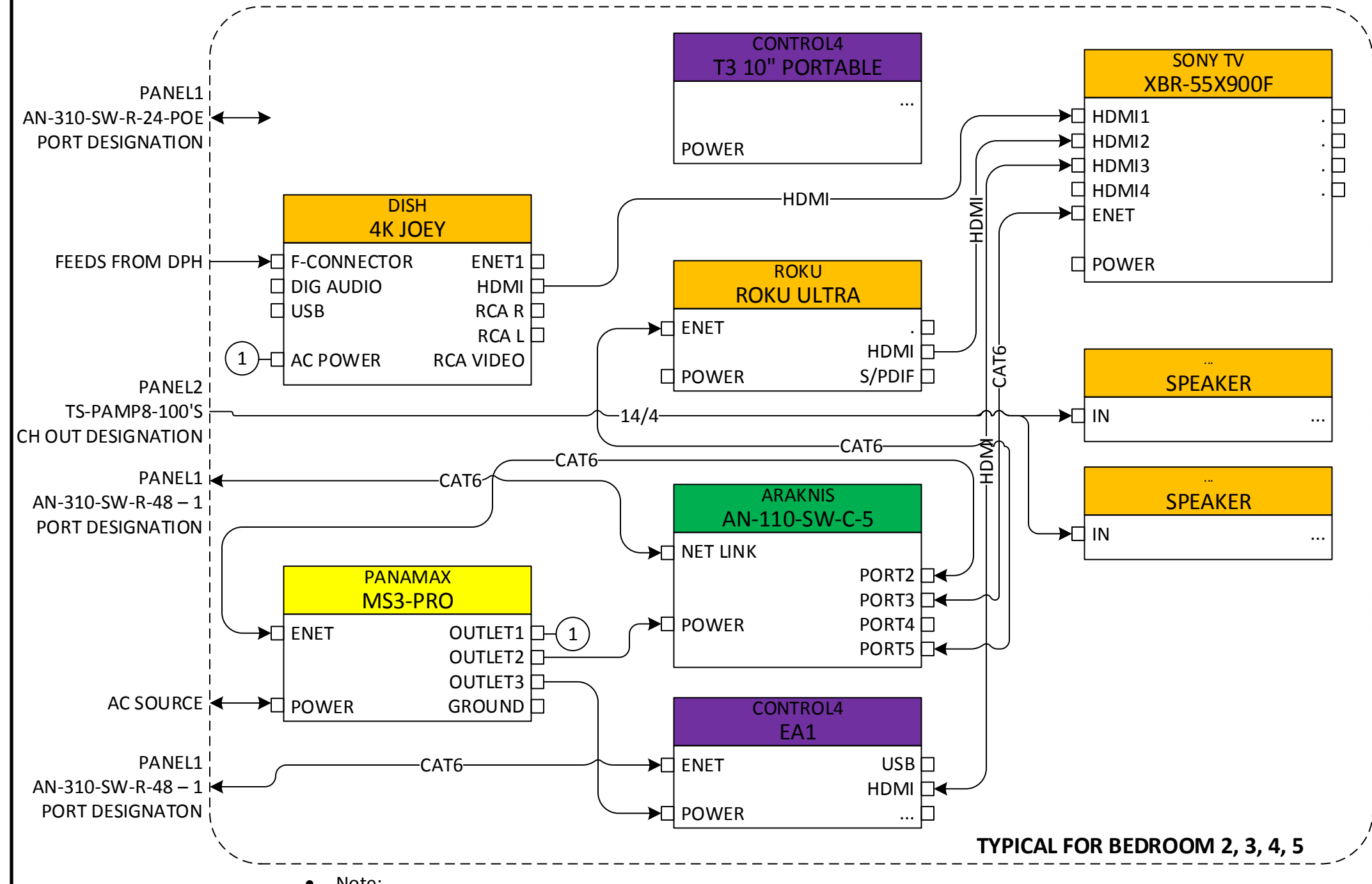
REVISION	DESCRIPTION	DATE
-	PANEL 2 SCHEMATIC DIAGRAM	MAY-7-2020



PANEL 2

		DESIGNED/CHECKED	DATE
		MALESKI, LIGHT	
O WIHEE VALLEY ROAD WAILUKU, HI 96793 (808-495-4344)		DRAWN	DATE
		ABUEME, AGAFE	
SCALE NOT TO SCALE 		APPROVED	DATE
		KNEZ, ERIC	
PROJECT <b>SAMPLE PROJECT</b>		DRAWING NO.	
		0001-SCH-02	SHEET 2 OF 3
ADDRESS			

REVISION	DESCRIPTION	DATE
	ROOM SCHEMATIC DIAGRAM	MAY-7-2020



Note(s):  
REFER TO PANEL-2 TS-AMS8-100'S OUTPUT FOR MORE SPEAKER DESIGNATION  
FOR FAMILY ROOM T3 10" IN-WALL PORT AND IP CAM PORT DESIGNATION REFER TO PANEL-2 AN-310-SW-R-48-POE

**eDesign GROUP**

0 WIHEE VALLEY ROAD WAILUKU, HI 96793 (808-495-4344)

DESIGNED/CHECKED	DATE
MALESKI, LIGHT	
DRAWN	DATE
ABUEME, AGAFE	
APPROVED	DATE
KNEZ, ERIC	
DRAWING NO.	
0001-SCH-03	

SCALE: NOT TO SCALE

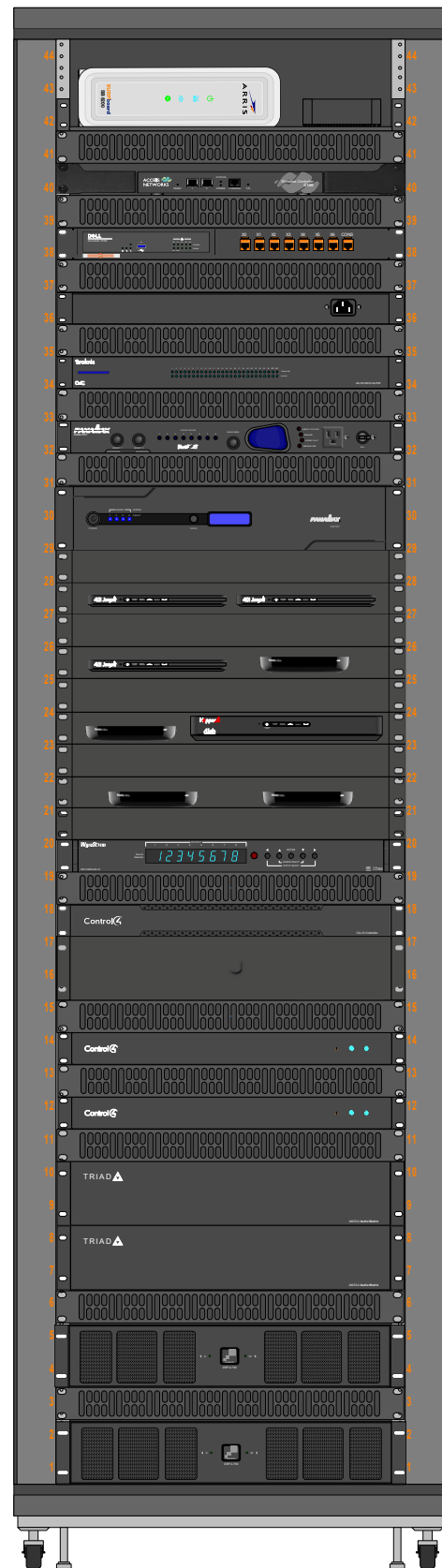
**SAMPLE PROJECT**

ADDRESS

SHEET 3 OF 3

REVISION	DESCRIPTION	DATE
-	RACK ELECTION	APRIL-27-2020

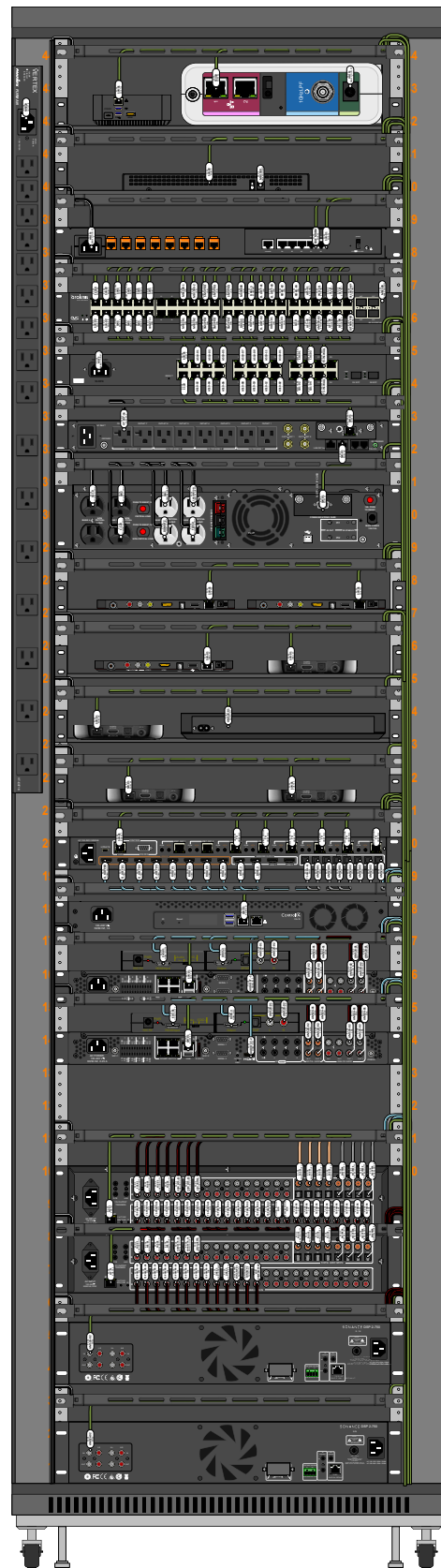
- ARRIS: SB8200  
DOMOTZ PRO
- ACCESS NETWORK: C120
- SONICWALL: TZ350
- ARAKNIS: AN-310-SW-R-48
- ARAKNIS: AN-310-SW-R-24-POE
- PANAMAX: M4320
- PANAMAX: MB1500
- DISH: 4K JOEY
- DISH: 4K JOEY  
ROKU ULTRA
- ROKU ULTRA  
DISH HOPPER
- ROKU ULTRA
- WYRESTORM: MXV-0808-H2A-70
- CONTROL4: CA-10
- SANUS: CADR2-B1  
(SLIDING DRAWER)
- CONTROL4: EAS
- TRIAD: TS-AMS24
- SONAMP: DSP 2-750



PANEL 1  
FRONT ELEVATION

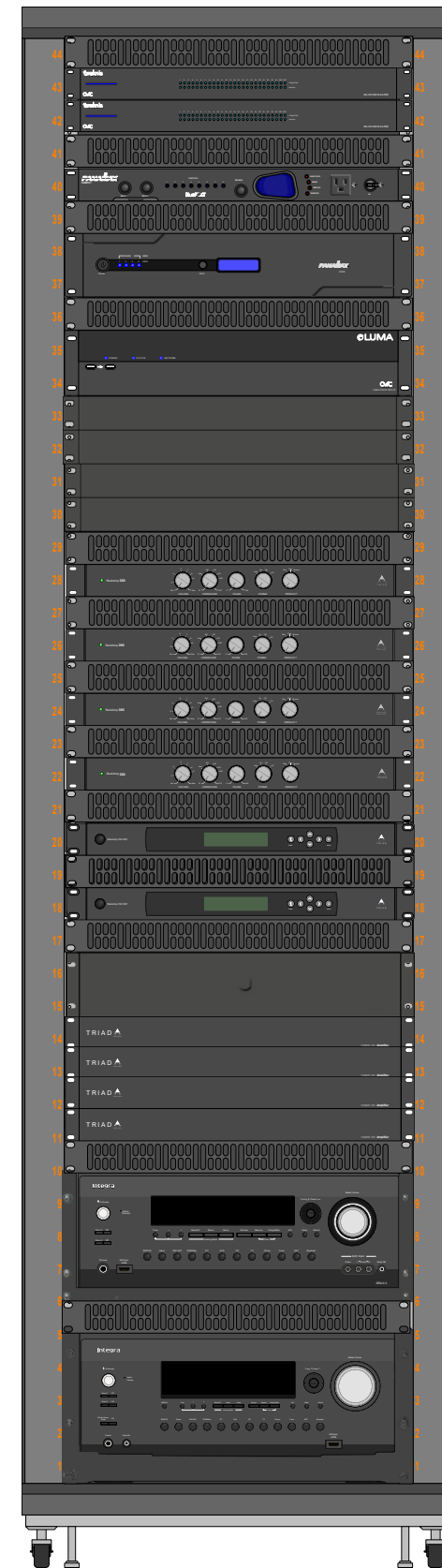
SCALE: NTS

- ARAKNIS: AN-310-SW-24
- ARAKNIS: AN-310-SW-24-POE
- PANAMAX: M4320
- PANAMAX: M1500
- LUMA: LUM-510-NVR-16CH-0T
- TRIAD: RACKAMP 300
- TRIAD: RACKAMP 700
- SANUS: CADR2-B1  
(SLIDING DRAWER)
- TRIAD: TS-PAMP8-100
- INTEGRA: DRX-3.3
- INTEGRA: DRX-5.3



PANEL 1  
REAR ELEVATION

SCALE: NTS




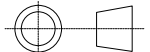
PANEL 2  
FRONT ELEVATION

SCALE: NTS



PANEL 2  
REAR ELEVATION

SCALE: NTS

		DESIGNED	DATE
		DRAWN A. ABUEME	DATE
O WIHEE VALLEY ROAD WAILUKU, HI 96793 (808-495-4344)		CHECKED/APPROVED	DATE
		DRAWING NO: 0001-001-EL01	
SCALE NOT TO SCALE	PROJECT <b>SAMPLE PROJECT</b>	ADDRESS	
		SHEET 1 OF 1	